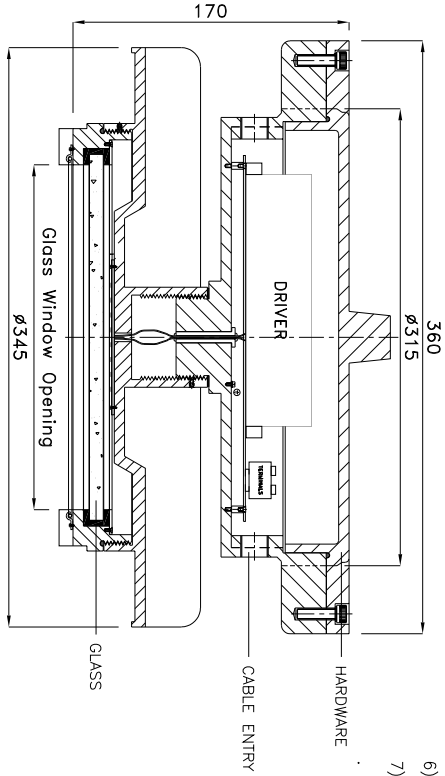


Plan View of Flood Light Fitting (TYPE - 1)

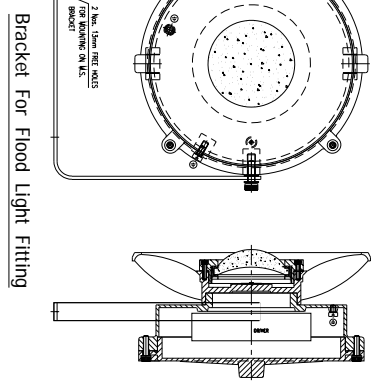
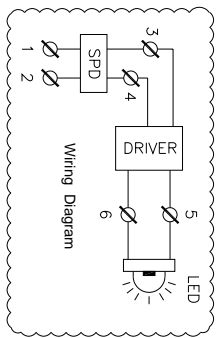


SECTIONAL VIEW OF FLOOD LIGHT FITTING SECTION - C-C

- Light Fitting Standard Specification :**
- a) WATTAGE : 250 WATTS
  - b) VOLTAGE : 140V-270V AC
  - c) POWER FACTOR : >0.95
  - d) INPUT FREQUENCY : 50 Hz
  - e) EFFICACY : >100 LUMEN PER WATT
  - f) COLOUR (CCT) : 3000K/5700K/6500K/OR AS SPECIFIED
  - g) CRI : >80 RA
  - h) TOTAL HARMONIC DISTORTION : ≤ 10% THD
  - i) BEAM ANGLE : 120 DEGREE
  - j) SURFACE TEMPERATURE : MAX. 70°
  - k) SURGE PROTECTION : 10 KV SPD

**Light Fitting OPTIONS :**

- Light Fitting CONSTRUCTION :** STAINLESS STEEL
- 1) MATERIAL CONSTRUCTION : STAINLESS STEEL
  - 2) VOLTAGE : 220V DC/110V AC/110V DC/24V AC
  - 3) BEAM ANGLE : LENS AVAILABLE 60/90/120 DEGREE
  - 4) LED MAKE : CITIZEN/OSRAM/BRIDGELUX/EQUIVALENT
  - 5) DRIVER MAKE : OSRAM/PHILIPS/FULHAM/EQUIVALENT
  - 6) CABLE GLAND & PLUG : BRASS/S.S./ALUMINIUM
  - 7) WIRE GUARD : M.S. WHITE EPOXY POWDER COATED / S.S.



Bracket For Flood Light Fitting

- Reference IS/IEC Standard as follows :**
- 1 - FLAMEPROOF (Ex d) PROTECTION - IIA/IIb & IIC, IS/IEC 60079-1 (2014)
  - TEMPERATURE CLASS - T6
  - 2 - INGRESS (IP) PROTECTION - IP-66, IS/IEC 60529 (2001). (Reaffirmed 2014)

**Standard Specification :**

- 1 - MATERIAL - CAST ALUMINIUM ALLOY
- 2 - FINISH - INSIDE & OUTSIDE LIGHT GREY EPOXY POWDER COATING SHADE No. 631 AS PER IS-5
- 3 - EARTHING - 1 No. INSIDE & 2 Nos. OUTSIDE M6 SIZE S.S./BRASS SCREWS WITH 2 Nos. PLAIN WASHER
- 4 - HARDWARE - STAINLESS STEEL
- 5 - GASKET - 'O' RING ENDLESS NEOPRENE RUBBER GASKET
- 6 - MOUNTING ARRGT. - AS SHOWN IN DRG.

**Material / Components Specification :**

- 1 - S.S. NAME CUM WARNING PLATE (WITH DESCRIPTION TITLE, CIMFR, PESO, SR. NO., GAS GROUP, RATING, BIS MARKING, WARNING STATUS, etc...)
- 2 - GLASS - HEAT RESISTANCE CLEAR TOUCH-EMBED GLASS 'TYPE-A' OF 'SUDHIR' BRAND
- 3 - CABLE ENTRIES - 2 Nos. M20 / 1/2" NPT / 3/4" ET SIZE CABLE ENTRIES FROM SIDE (REFER DRAWING)
- 4 - TERMINALS - 6 Nos. 2.5sq. mm (MICRO) CLIP-ON TYPE TERMINALS OF 'ELMEY/CONNECTWELL' MAKE

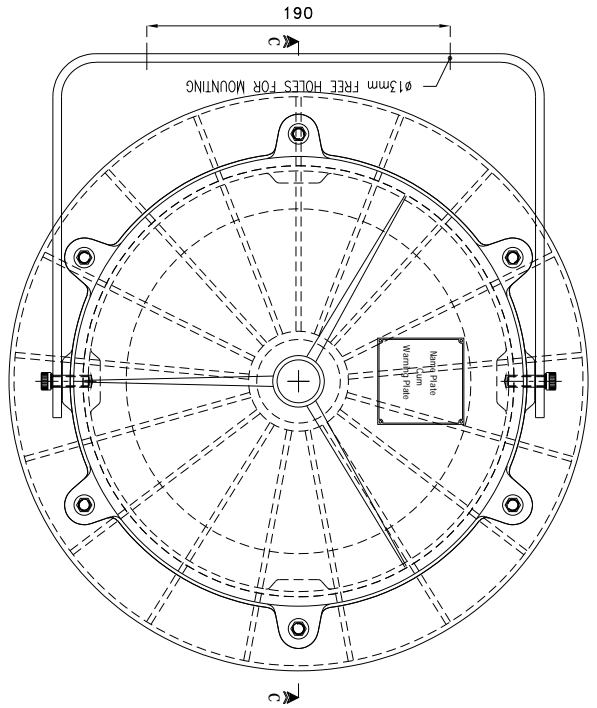
**NOTE :**

- COMPONENT LAYOUT IS TENTATIVE RELOCATION OF PARTS & COMPONENTS IS POSSIBLE AT THE TIME OF ACTUAL MANUFACTURING.
- OVERALL DIMENSIONS ARE ±10mm

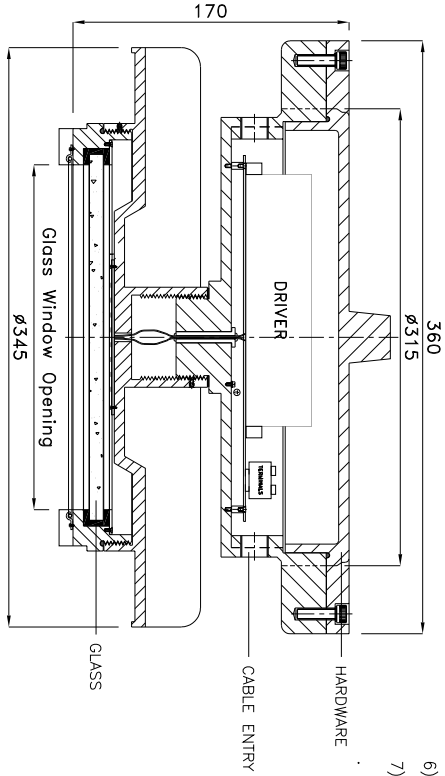
REV.	DATE	DESCRIPTION	DRN.	CHKD.	APPD.
Δ					
Δ					
Δ					

CAT. No.	WG/1240
MODEL No.:	WG/1240/FL/250
DRN.	profill
CHKD.	JASNAK
APPD.	
SHEET	1 OF 1
N. T. S.	REV.-0
SCALE	

CAT. No.	WG/1240
MODEL No.:	WG/1240/FL/250
DRN.	profill
CHKD.	JASNAK
APPD.	
SHEET	1 OF 1
N. T. S.	REV.-0
SCALE	



Plan View of Flood Light Fitting (TYPE - 1)

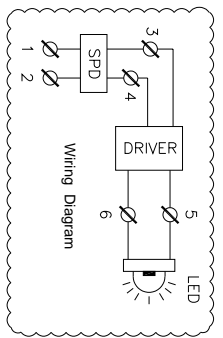


SECTIONAL VIEW OF FLOOD LIGHT FITTING SECTION - C-C'

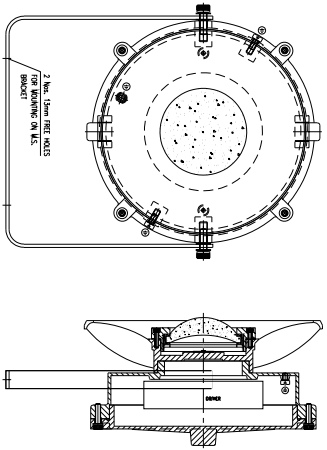
- Light Fitting Standard Specification :**
- a) WATTAGE : 300 WATTS
  - b) VOLTAGE : 140V-270V AC
  - c) POWER FACTOR : >0.95
  - d) INPUT FREQUENCY : 50 Hz
  - e) EFFICACY : >100 LUMEN PER WATT
  - f) COLOUR (CCT) : 3000K/5700K/6500K/OR AS SPECIFIED
  - g) CRI : >80 RA
  - h) TOTAL HARMONIC DISTORTION : ≤ 10% THD
  - i) BEAM ANGLE : 120 DEGREE
  - j) SURFACE TEMPERATURE : MAX. 70°
  - k) SURGE PROTECTION : 10 KV SPD

**Light Fitting OPTIONS :**

- Light Fitting CONSTRUCTION :** STAINLESS STEEL
- 1) MATERIAL CONSTRUCTION : STAINLESS STEEL
  - 2) VOLTAGE : 220V DC/110V AC/110V DC/24V AC
  - 3) BEAM ANGLE : LENS AVAILABLE 60/90/120 DEGREE
  - 4) LED MAKE : CITIZEN/OSRAM/BRIDGELUX/EQUIVALENT
  - 5) DRIVER MAKE : OSRAM/PHILIPS/FULHAM/EQUIVALENT
  - 6) CABLE GLAND & PLUG : BRASS/S.S./ALUMINIUM
  - 7) WIRE GUARD : M.S. WHITE EPOXY POWDER COATED / S.S.



Bracket For Flood Light Fitting



**Reference IS/IEC Standard as follows :**

- 1 - FLAMEPROOF (Ex d) PROTECTION - IIA/IIb & IIC, IS/IEC 60079-1 (2014)
- TEMPERATURE CLASS - T6
- 2 - INGRESS (IP) PROTECTION - IP-66, IS/IEC 60529 (2001). (Reaffirmed 2014)

**Standard Specification :**

- 1 - MATERIAL - CAST ALUMINIUM ALLOY
- 2 - FINISH - INSIDE & OUTSIDE LIGHT GREY EPOXY POWDER COATING SHADE No. 631 AS PER IS-5
- 3 - EARTHING - 1 No. INSIDE & 2 Nos. OUTSIDE M6 SIZE S.S./BRASS SCREWS WITH 2 Nos. PLAIN WASHER
- 4 - HARDWARE - STAINLESS STEEL
- 5 - GASKET - 'O' RING ENDLESS NEOPRENE RUBBER GASKET
- 6 - MOUNTING ARRGT. - AS SHOWN IN DRG.

**Material / Components Specification :**

- 1 - S.S. NAME CUM WARNING PLATE (WITH DESCRIPTION TITLE, CIMFR, PESO, SR. NO., GAS GROUP, RATING, BIS MARKING, WARNING STATUS, etc...)
- 2 - GLASS - HEAT RESISTANCE CLEAR TOUCHENED GLASS 'TYPE-A' OF 'SUDHIR' BRAND
- 3 - CABLE ENTRIES - 2 Nos. M20 / 1/2" NPT / 3/4" ET SIZE CABLE ENTRIES FROM SIDE (REFER DRAWING)
- 4 - TERMINALS - 6 Nos. 2.5sq. mm (MICRO) CLIP-ON TYPE TERMINALS OF 'ELMEY/CONNECTWELL' MAKE

**NOTE :**

COMPONENT LAYOUT IS TENTATIVE RELOCATION OF PARTS & COMPONENTS IS POSSIBLE AT THE TIME OF ACTUAL MANUFACTURING.  
OVERALL DIMENSIONS ARE ±10mm

REV.	DATE	DESCRIPTION	DRN.	CHD.	APPD.	SCALE	CAT. No.	WG/1240	MODEL No.:	WG/1240/FL/300	DRN.	profill	CHKD.	JASNAK	CIMFR CERT. No.	IN/CIMFR/TR21/P/H176	PESO No. :	P546023/1	BIS LICENCE No. :	CM/L-0002914461
1																				
2																				
3																				
4																				
5																				
6																				
7																				
8																				
9																				
10																				
11																				
12																				
13																				
14																				
15																				
16																				
17																				
18																				
19																				
20																				
21																				
22																				
23																				
24																				
25																				
26																				
27																				
28																				
29																				
30																				
31																				
32																				
33																				
34																				
35																				
36																				
37																				
38																				
39																				
40																				
41																				
42																				
43																				
44																				
45																				
46																				
47																				
48																				
49																				
50																				